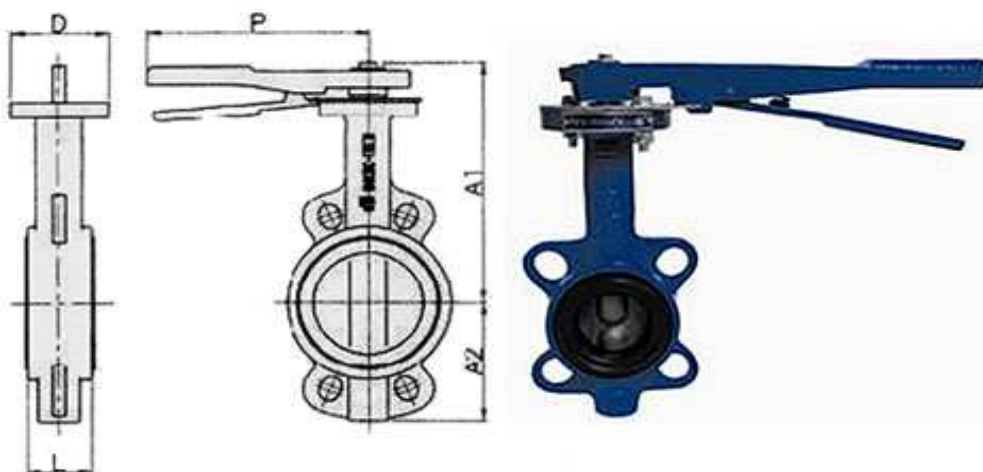


## Przepustnice



| Ref     | Size   | DN  | PN | L   | Dimonslons (mm) |     |     |     | Weight (Kg) |
|---------|--------|-----|----|-----|-----------------|-----|-----|-----|-------------|
|         |        |     |    |     | E               | H   | L   | M   |             |
| 2109 09 | 2"     | 50  | 16 | 43  | 200             | 75  | 90  | 270 | 4.20        |
| 2109 10 | 2 1/2" | 65  | 16 | 46  | 200             | 85  | 90  | 270 | 4.80        |
| 2109 11 | 3"     | 80  | 16 | 46  | 200             | 100 | 90  | 270 | 5.55        |
| 2109 12 | 4"     | 100 | 16 | 52  | 220             | 120 | 90  | 270 | 6.80        |
| 2109 13 | 5"     | 125 | 16 | 56  | 250             | 125 | 90  | 270 | 8.75        |
| 2109 14 | 6"     | 150 | 16 | 56  | 250             | 150 | 125 | 300 | 11.15       |
| 2109 16 | 8"     | 200 | 16 | 60  | 300             | 150 | 125 | 300 | 16.60       |
| 2109 18 | 10"    | 250 | 16 | 68  | 330             | 200 | 125 | 300 | 23.45       |
| 2109 20 | 12"    | 300 | 16 | 78  | 360             | 250 | 150 | 300 | 33.80       |
| 2109 22 | 14"    | 350 | 10 | 78  | 390             | 260 | 150 | *** | 61.00       |
| 2109 24 | 16"    | 400 | 10 | 102 | 420             | 300 | 175 | *** | 82.00       |
| 2109 26 | 18"    | 450 | 10 | 114 | 445             | 330 | 175 | *** | 136.00      |
| 2109 28 | 20"    | 500 | 10 | 121 | 480             | 370 | 175 | *** | 163.00      |